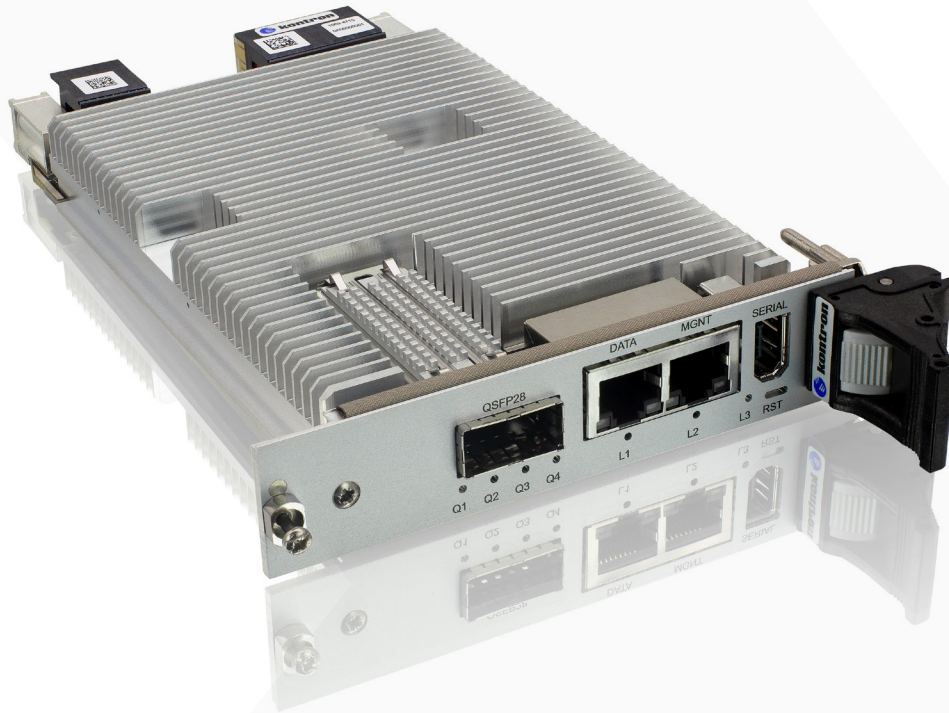


VX3908

10G/40G/50G Ethernet L2/L3 Network Switch



OpenVPX 10/40/50 Gigabit Ethernet Switch

- High End Low Power L2/L3 switch for harsh environments
- Line Rate sustained for all packet sizes
- Dual 50G Ethernet uplinks
- Developed in alignment with VITA65 OpenVPX Standard
- Air-Cooled builds

VX3908 Fully Managed L2&L3 Switching and Routing

Kontron's VX3908 is a fully managed layer 2&3 featuring 1/10/40/50 Gigabit Ethernet bandwidth. It provides versatile feature support by using highest integration of Ethernet switch silicon. The VX3908 is designed for long-term programs and harsh environments, for applications requiring outstanding bandwidth and communication safety.

The VX3908 is designed in alignment with VITA65 OpenVPX profile. Up to 12x 10GBASE-KR ports can be supported on the VPX backplane (standard configuration will offer 6x 10GBASE-KR + 1x 1000BASE-T ports). Furthermore, 4x 10GbE ports can be aggregated to form a Fat Pipe offering 1x 40GbE, 2x 25GbE or 1x 50GbE ports.

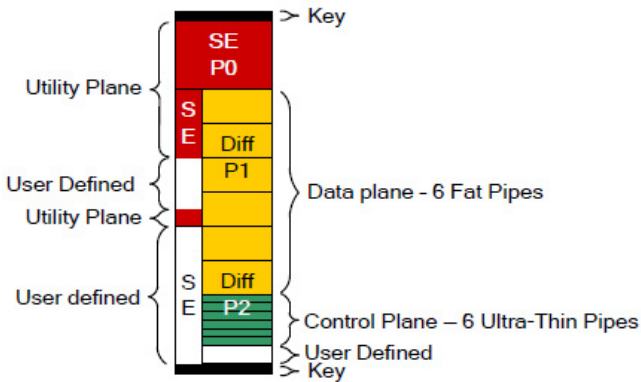
The Air-cooled version of the VX3908 features a front QSFP28 cage for the support of up to 4x 25GbE or 2x 50GbE ports. 40GbE, 10GbE and 1GbE links are also supported.

Compatibility with VITA65 OpenVPX:

The VX3908 is available with the following VITA65 OpenVPX Profiles:

Typical demanding applications include:

- MOD3-SWH-6F6U-16.4.1-11 (default configuration)



SLT3-SWH-6F6U-14.4.1

Extra CPU to avoid limitations

The Kontron design is equipped with a powerful QorIQ® LayerScape family processor, not relying on the low performance processor integrated into the switch silicon; in particular, performance of the management systems, response times on SNMP requests are greatly improved. Also, the CPU makes VX3908 ready for future upgrades and extensions, which is important for the long term switches.

Full L2/L3 Management

The VX3908 can be monitored via SNMP. A comprehensive command line interface provides easy management and remote configuration by either serial or network interface. Supported features are: IPv4/optionally IPv6 forwarding & multicast, routing & switching, Quality of Service, VLANs, Spanning tree (STP, RSTP, MSTP, PVST, RPVST) time synchronization using 802.1AS, access control, extended user management and many more.

Management via SNMP, Command Line (Telnet, SSH)

- In-band
- Out of band via Ethernet or RS232

IPMI version 1.5, Power On Self Test

DHCP server, relay and Boot media supported

NTP server feature

Reliable software, field upgradable

Dual boot images with roll-back capabilities

Advanced management monitoring features

ETHERNET BRIDGING PROTOCOLS including:

- Link aggregation (802.3ad)
- VLANs (802.1Q)
- QoS (IEEE 802.1p)
- Spanning tree (802.1s, 802.1d, 802.1w, PVST, RPVST)
- Flow control (802.3x)

ETHERNET ROUTING PROTOCOLS including:

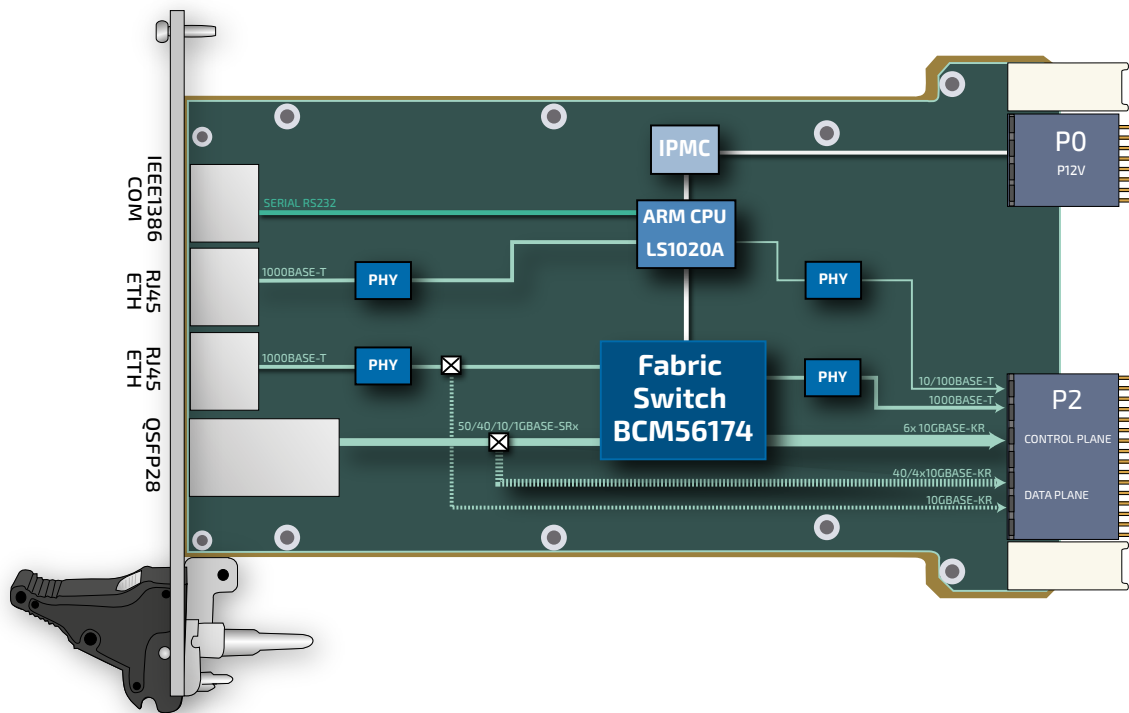
- Static routing
- VLAN/Port based routing
- GARP/GVRP, GMRP
- ARP, ICMP, OSPF, RIP, VRRP, DVMRP
- DHCP/Bootp relay
- BFD detection

ENHANCED FEATURES:

- Egress ACLs, IP ACL support
- Auto VoIP
- IGMP snooping & proxy support
- Startup configuration configurable
- Watchdog

Health Management

The VX3908 features an Intelligent Platform Management Controller (IPMC) interfaced to the VPX Management Plane for the support of system health management and control application.



Ordering Information

ARTICLE	PART NO.	DESCRIPTION
VX3908-SA-A000110	1073-3732	3U SWITCH-Air-Cooled 'SA' (0°C to 55°C) - Port Scheme: 2x50GBase-SR2/1x40GBase-SR4 (QSFP28 on FP) 2x1000Base-T (RJ45 on FP) 6x10GBase-KR (BP) 1x1000Base-T (BP) - VITA46.11 IPMC Controller - Front I/Os : 1xQSFP28 cage and 2xRJ45 connectors (with management port), 1x Serial line on IEEE1394 connector - SLT3-SWH-6F6U-14.4.1 Slot Profile - RTC Power sourced from battery - Power-on Self Tests and TPM2.0 Secure Element - -

Your Contact

Kontron France

150 rue Marcelin Berthelot
 ZI de Toulon-Est - BP 244
 83078 Toulon Cedex 9
 Tel.: +33 4 98 16 34-00
 sales.KFR@kontron.com

www.kontron.com

Global Headquarters

Kontron Europe GmbH

Gutenbergstraße 2
 85737 Ismaning
 Germany
 Tel.: +49 821 4086-0
 info@kontron.com

www.kontron.com

