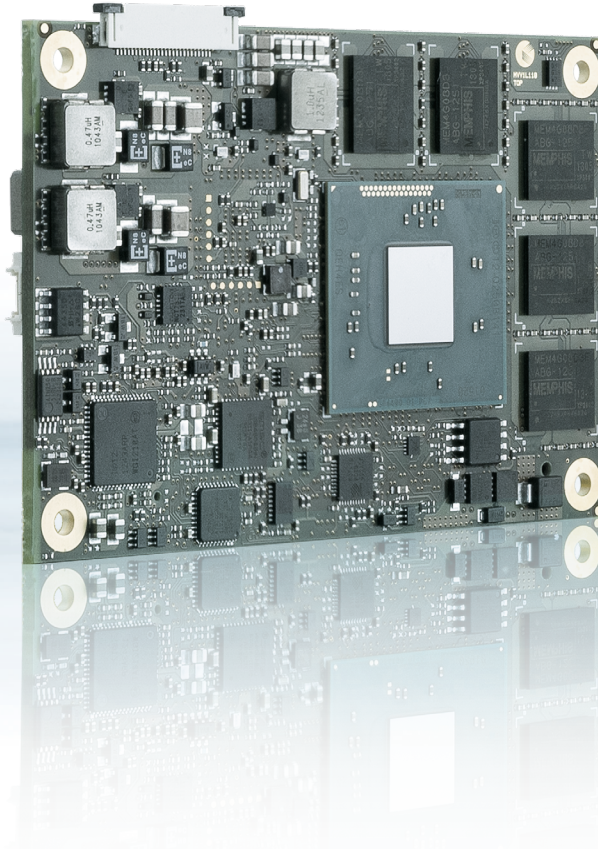


# COMe-mBT10

---



## COM Express® mini Type 10 with Intel Atom® E3800 & Celeron® series

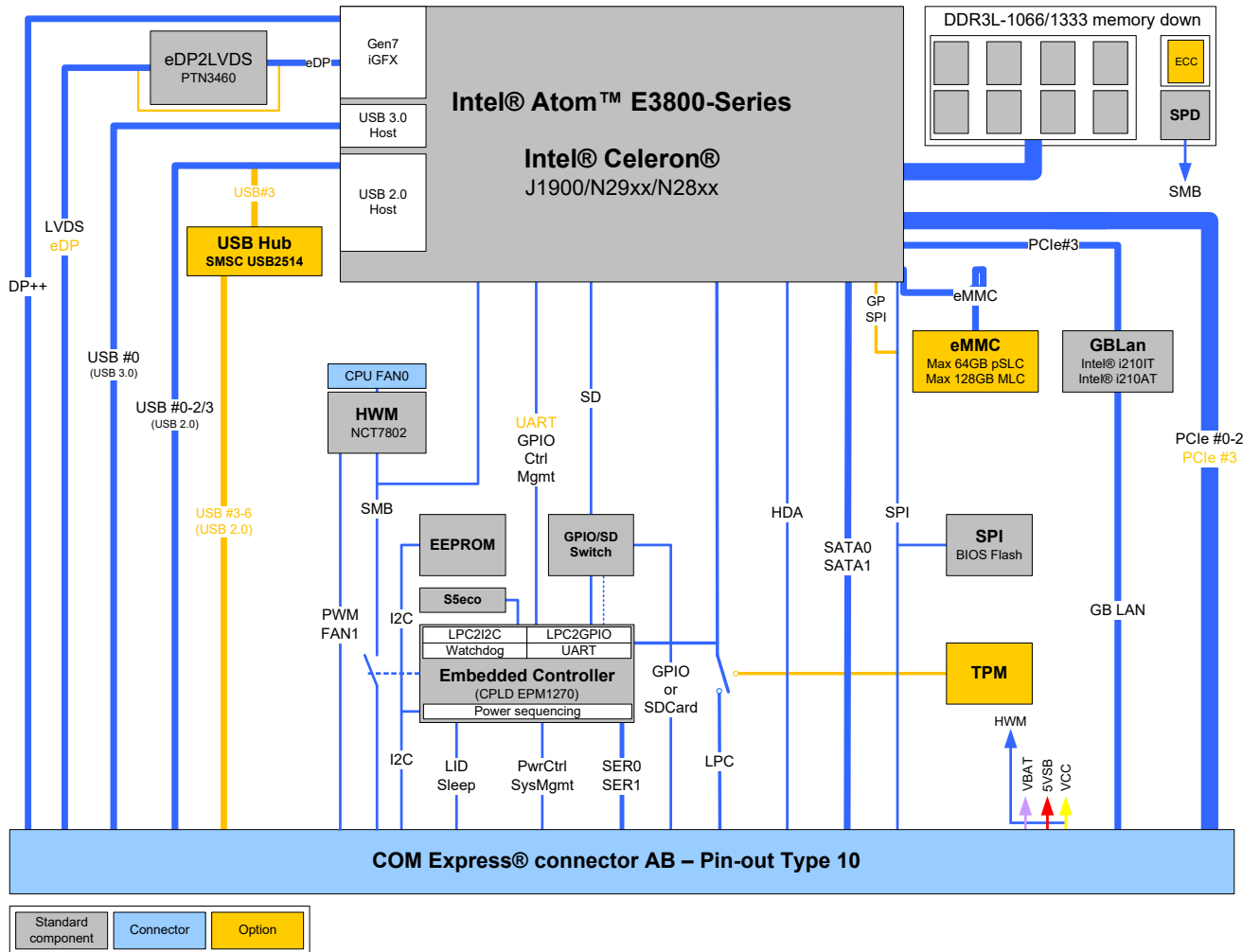
- ▶ Intel Atom® E3800 & Celeron® series
- ▶ Up to 4 GByte DDR3L memory down (ECC optional)
- ▶ 1x USB 3.0/2.0, up to 7x USB 2.0, eMMC Flash, 2x SATA
- ▶ Industrial grade temperature

POSSIBILITIES START HERE

## ▶ TECHNICAL INFORMATION

<b>COMPLIANCE</b>	COM Express® mini, Pin-out Type 10
<b>DIMENSIONS</b>	84 x 55 mm
<b>CPU</b>	Intel Atom® E3845, Intel Atom® E3827, Intel Atom® E3826, Intel Atom® E3825, Intel Atom® E3815, Intel® Celeron® J1900, Intel® Celeron® N2920, Intel® Celeron® N2930, Intel® Celeron® N2807
<b>CHIPSET</b>	-
<b>MAIN MEMORY</b>	Up to 4 GByte DDR3L-1333 memory down (ECC optional)
<b>GRAPHICS CONTROLLER</b>	Intel® HD Graphics (Gen7)
<b>ETHERNET CONTROLLER</b>	Intel® I210IT/I210AT (I211AT)
<b>ETHERNET</b>	10/100/1000 MBit Ethernet
<b>STORAGE</b>	2x SATA 3Gb/s, SDIO Interface (shared with GPIO)
<b>FLASH ONBOARD</b>	8 - 128 GByte eMMC
<b>PCI EXPRESS®</b>	3x PCIe x1
<b>PANEL SIGNAL</b>	DDI: DP++, LVDS: Single Channel 18/24bit or eDP
<b>USB</b>	1x USB 3.0 (incl. USB 2.0), 3x USB 2.0 from CPU, 3x USB 2.0 from USB Hub on 34006, (option on 34007)
<b>SERIAL</b>	2x serial interface (RX/TX only)
<b>AUDIO</b>	Intel® High Definition Audio
<b>COMMON FEATURES</b>	SPI, LPC, SMB, Fast I <sup>2</sup> C, Staged Watchdog, RTC, MARS
<b>BIOS</b>	Phoenix Secure Core UEFI
<b>HUMIDITY</b>	93 % relative Humidity at 40 °C, non-condensing (according to IEC 60068-2-78)
<b>OPTIONS</b>	1x PCIe x1 additional w/o onboard LAN, Trusted Platform Module TPM 1.2, ECC memory, eMMC Flash onboard, eDP instead of LVDS, General Purpose SPI instead of Boot SPI
<b>POWER MANAGEMENT</b>	ACPI, S5 Eco
<b>POWER SUPPLY</b>	4.75 V – 20 V Wide Range, Single Supply Power
<b>SPECIAL FEATURES</b>	POSCAP capacitors, GPIO/SDIO Switch, General Purpose SPI optional
<b>OPERATING SYSTEM</b>	Windows® 8, Windows® 7, Linux, VxWorks
<b>TEMPERATURE</b>	Commercial temperature: 0 °C to +60 °C operating, -30 °C to +85 °C non-operating Industrial temperature: -40 °C to +85 °C operating, -40 °C to +85 °C non-operating

## ► BLOCKDIAGRAM



## ► GLOBAL HEADQUARTERS

Kontron Europe GmbH

Gutenbergstraße 2  
 85737 Ismaning, Germany  
 Tel.: +49 821 4086-0  
 Fax: +49 821 4086-111  
 info@kontron.com

[www.kontron.com](http://www.kontron.com)