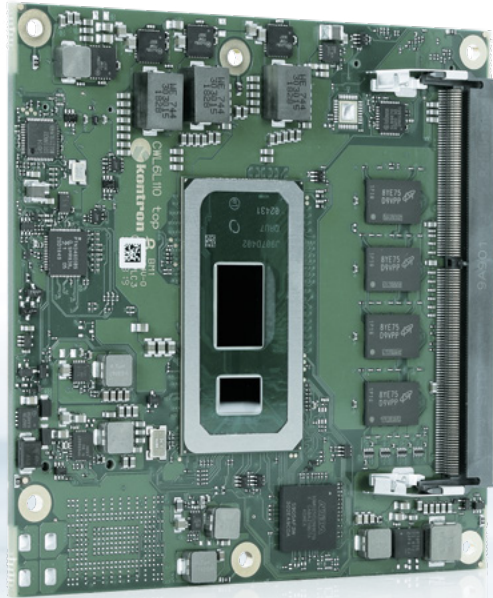


COMe-cWL6 (E2S)



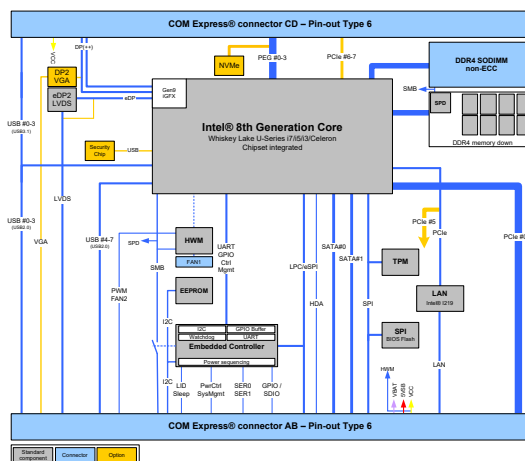
COM Express® Compact Type 6 with 8th Generation Intel® Core™ / Celeron® Processors

- ▶ Up to 48 GByte DDR4 memory (16 GByte DDR4 memory down)
- ▶ Optional NVMe SSD onboard
- ▶ Industrial grade versions
- ▶ Kontron APPROTECT security solution based on Wibu-Systems CodeMeter®

POSSIBILITIES START HERE

TECHNICAL INFORMATION

COMPLIANCE	COM Express® Compact Pin-out Type 6
DIMENSIONS (H X W)	95 x 95 mm
CPU	Intel® Core™ i7-8665UE, 4x 1.7 GHz, GT2, 15 W Intel® Core™ i5-8365UE, 4x 1.6 GHz, GT2, 15 W Intel® Core™ i3-8145UE, 2x 2.2 GHz, GT2, 15 W Intel® Celeron® 4305UE, 2x 2.0 GHz, GT1, 15 W
CHIPSET	Integrated SoC
MAIN MEMORY	1x DDR4 SO-DIMM up to 32 GByte, 2nd channel DDR4 memory down up to 16 GByte
GRAPHICS CONTROLLER	Intel® UHD Graphics 620 (Celeron® 4305UE: Intel® UHD Graphics 610)
ETHERNET CONTROLLER	Intel® I219LM
ETHERNET	10/100/1000 MBit Ethernet
HARD DISK	2x SATA 6Gb/s
FLASH ONBOARD	Up to 1 TByte NVMe SSD (on request)
PCI EXPRESS® SUPPORT	5x PCIe 3.0 (On request: 6x without Ethernet, up to 8x without Ethernet & SATA) 4x PCIe 3.0 on PEG Lanes #0-3
PANEL SIGNAL	DDI1: DP++, DDI2: DP++, DDI3: -, VGA: -, LVDS: Dual Channel 18/24 bit
USB	4x USB 3.1 (incl. USB 2.0) + 4x USB 2.0
SERIAL	2x serial interface (RX/TX only)
AUDIO	High Definition Audio interface
COMMON FEATURES	SPI, LPC, SMB, Fast I ² C, Staged Watchdog, RTC, support of Intel® Optane™ memory technology via PCIe
BIOS	AMI Aptio V
HUMIDITY	93 % relative Humidity at 40 °C, non-condensing (according to IEC 60068-2-78)
FEATURES ON REQUEST	vPRO (AMT/TXT/AES Support), eDP instead of LVDS, VGA, up to 3x PCIe x1 additional w/o onboard LAN & SATA, NVMe SSD, Security Chip
POWER MANAGEMENT	ACPI 6.0
POWER SUPPLY	8.5 V – 20 V Wide Range, Single Supply Power
SPECIAL FEATURES	POSCAP capacitors, Trusted Platform Module TPM 2.0
OPERATING SYSTEM	Windows®10, Linux, VxWorks
TEMPERATURE	Commercial temperature: 0 °C to +60 °C operating, -30 °C to +85 °C non-operating Extended temperature: -25 °C to +75 °C operating, -30 °C to +85 °C non-operating Industrial temperature: -40 °C to +85 °C operating, -40 °C to +85 °C non-operating
SUPPORTED MODULES	COMe-cWL6 (E25) xx-xxxxxx



Global Headquarters

Kontron S&T AG

Lise-Meitner-Str. 3-5
86156 Augsburg, Germany
Tel.: + 49 821 4086 0
Fax: + 49 821 4086 111
info@kontron.com
www.kontron.com